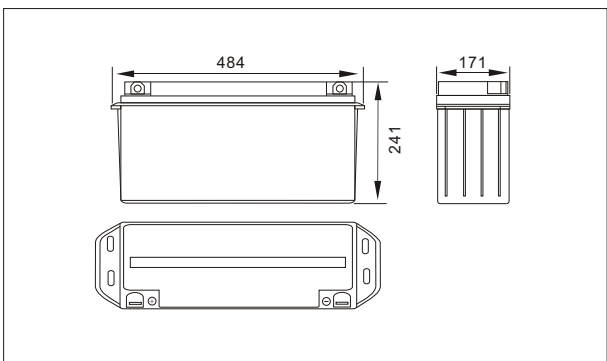


NPG150-12 (12V150Ah)



Koyosonic Electronics Co., Ltd

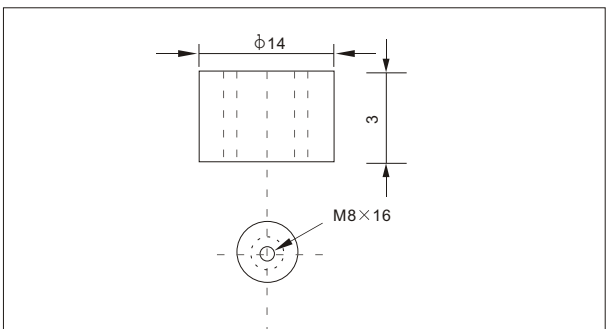
Outer dimensions (mm)



Specifications

Nominal Voltage	12V	
Rated capacity (10 hour rate)	150Ah	
Dimensions	Total Height	241mm (9.49inches)
	Height	241mm (9.49inches)
	Length	484mm (19.1inches)
	Width	171mm (6.73inches)
Weight Approx	44Kg (97lbs)	

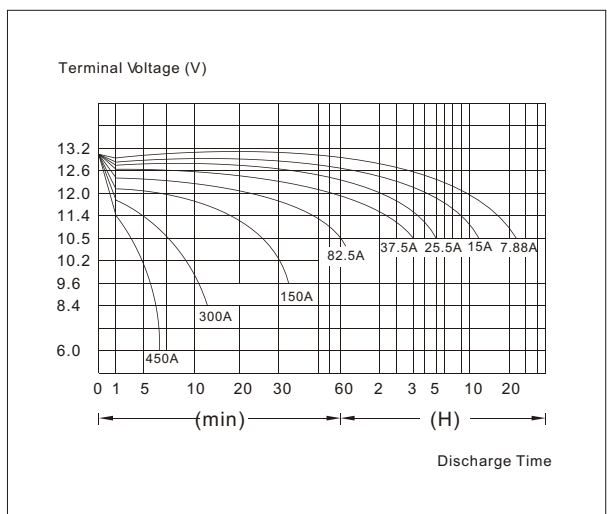
Terminal Type (mm)



Characteristics

Capacity 25°C(77°F)	20 hour rate(7.88 A)	157.6AH
	10 hour rate(15.0A)	150.0AH
	5 hour rate(25.5 A)	127.5AH
	3 hour rate(37.5 A)	112.5 AH
	1 hour rate(82.5 A)	82.5 AH
Internal Resistance	Full charged Battery at 25°C(77°F)	2 mΩ
Capacity affected by Temperature (10hour rate)	40°C(104°F)	102%
	25°C(77°F)	100%
	0°C(32°F)	85%
Self-Discharge at 25°C(77°F)	Capacity after 3 month storage	91%
	Capacity after 6 month storage	82%
	Capacity after 12 month storage	64%
Terminal	T5, L13	
Charge (constant Voltage)	Cycle	Initial Charging Current less than 45A Voltage 14.5-14.9V
	Float	Voltage 13.6-13.8V

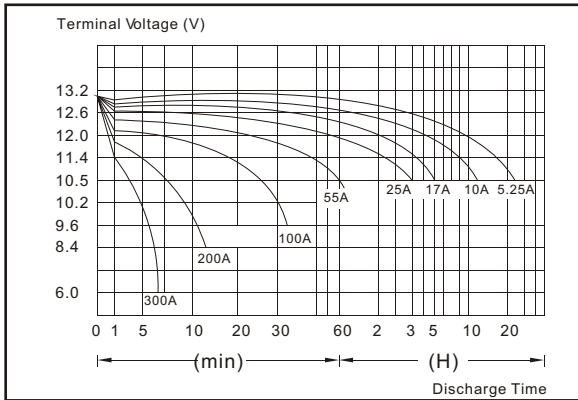
Discharge Curves 25°C(77°F)



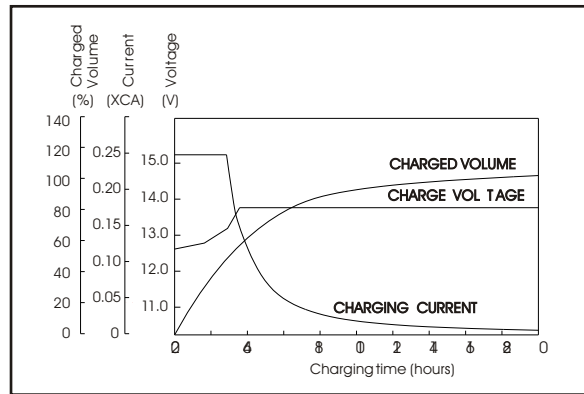
Time	5min	10min	15min	30min	1h	2h	3h	4h	5h	8h	10h	20h
9.6V	A	555	405	285	173	90	53	38.6	30.0	24.8	17.4	8.51
	W	5894	4301	3027	1832	1042	608	446	347	287	202	98.5
10.2V	A	489	369	255	163.5	84.6	50.1	37.5	29.3	24.3	17.1	8.30
	W	5428	4096	2831	1815	980	580	434	339	281	198	96.1
10.5V	A	471	351	240	159	82	48.9	36.6	28.8	24.0	17.0	8.19
	W	5341	3980	2721	1803	948	566	424	334	278	196	94.8
10.8V	A	453	333	225	155	79	47.7	35.7	28.4	23.4	16.5	8.10
	W	5273	3876	2619	1798	922	555	416	327	272	192	94.3
11.1V	A	435	315	210	150	77	46.5	34.5	27.5	22.8	16.1	7.70
	W	5177	3749	2499	1785	910	553	411	325	271	191	91.6

Hybrid / Gel Technology

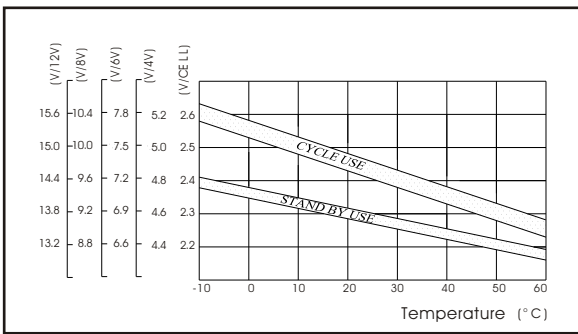
Discharge Characteristics



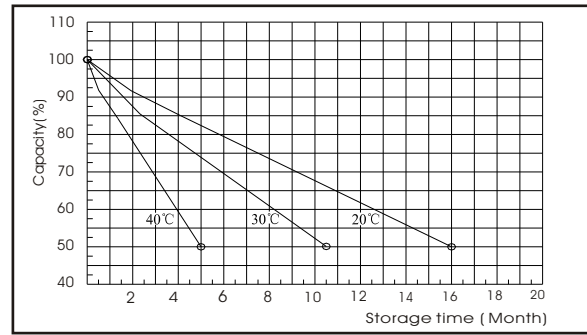
Constant Voltage Charging Characteristics (0.25CA 25 °C)



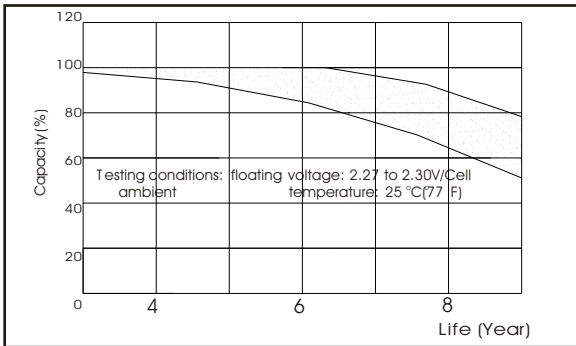
Relationship between Charging voltage and Temperature



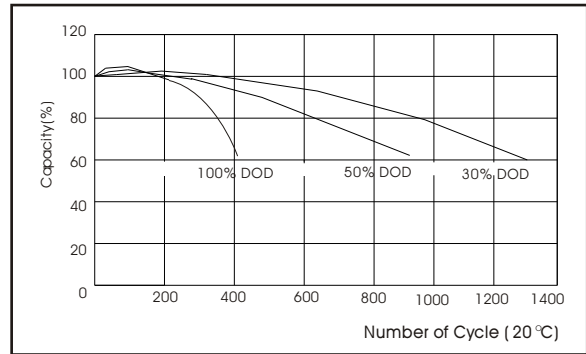
Self-discharge Characteristics



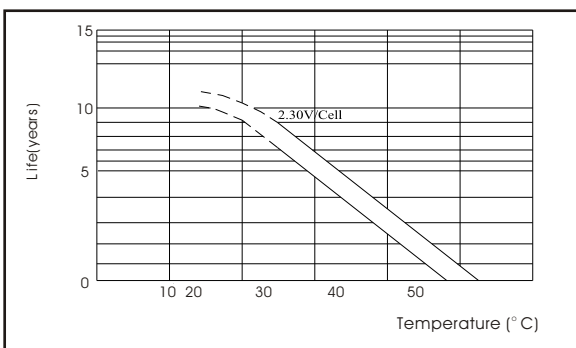
Float service life



Cycle service life @ different DOD



Temperature Effects on Float Life



Temperature Effects on Capacity

